

# Fixed Dome Mount

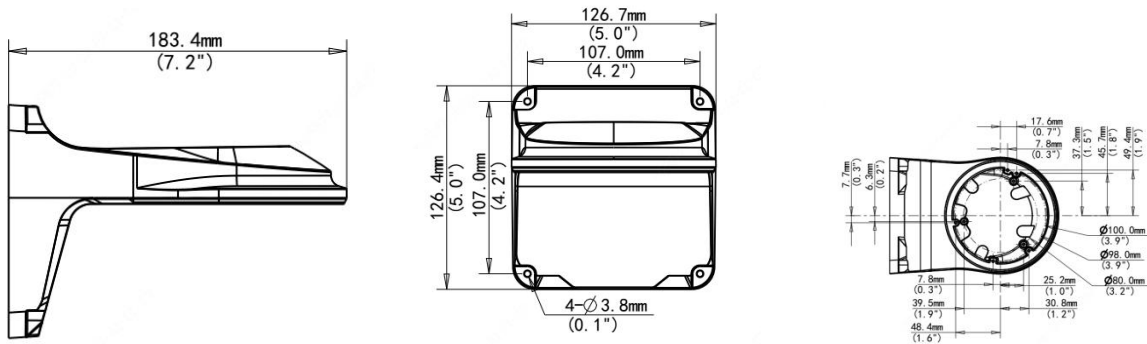
## TR-WM03-D-IN



### Specifications

Bracket	TR-WM03-D-IN
Application	Wall installation for IPC32XS/E/L series
Dimensions	126mmx127mmx183mm (4.96" x5" x7.20")
Weight	0.52kg(1.15lb)
Material	Aluminum alloy

### Dimensions



**Zhejiang Uniview Technologies Co.,Ltd.**

South Tower, Building 10, Wanlun Science Park, 88 Jiangling Road, Hangzhou, P.R.China 310051

Email: [overseasbusiness@uniview.com](mailto:overseasbusiness@uniview.com); [globalsupport@uniview.com](mailto:globalsupport@uniview.com)

<http://www.uniview.com>

©2017 Zhejiang Uniview Technologies Co.,Ltd. All rights reserved.

\*Product specifications and availability are subject to change without notice.